

SECURE

Designed to be as structurally sound as possible, our frames and pivot-points exceed structural support requirements for material and composition. Our bike racks provide the most robust solution for maximum security.

DURABLE

Made with high-grade, 14 gauge steel, it is assembled using SAE Certified fasteners and coated with the latest in powder epoxy coating resin with exceptional rust and UV protection. The coating will withstand the rigors of everyday use.

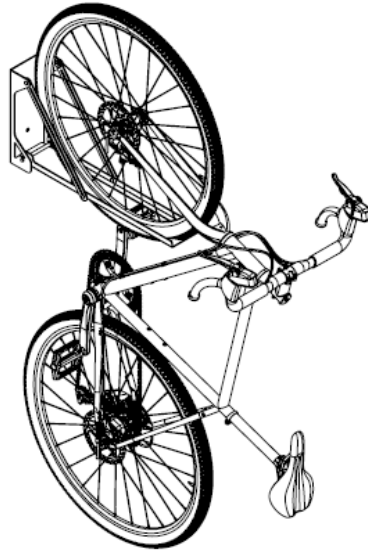
COST EFFECTIVE

Well built does **not** mean more expensive. Canadian designed and Canadian Made, we keep the cost down by leveraging the expertise of our closest vendors to achieve a price point that is reasonable and sustainable. Our modular design allows us to 'build' a solution-set for the space available. A Win-Win.

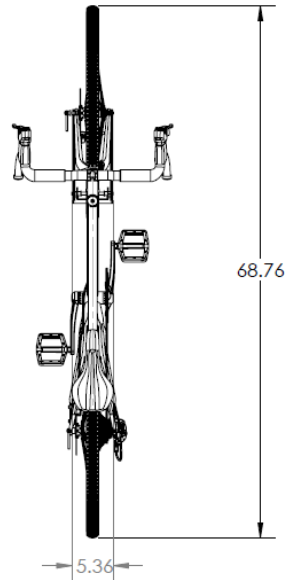
Rugged.

Structurally Sound.

Built to Last.



Wall Mount Vertical System



FEATURES:

- Design Simplicity.
- Variations of installation configurations.
- Easy to stagger for improved layout patterns to maximize bike storage density.
- Easy tire cradle system for quick mounting and dismounting.
- Nothing to damage the rim or spokes!
- Lock using a cable looped through the rack frame for maximum security.

PRODUCT SPECIFICATIONS:

Material:	10 Gauge, Cold-Rolled, High-Grade Steel
Fasteners:	All components are SAE Certified for Strength, Durability and Performance
Coating:	Powdered Epoxy Resin (SandTEX Black Only)
Bike Accessibility:	We designed the mechanism so the wheel rests into the fold-down frame - just pull down the pivoted frame and place the wheel into the slot and let go of the bike. The side rails keep the tire centred and secure while locking the bike up.
Securing the Bike:	There is an angled cut-out in the frame to allow for a chain or wire rope to secure the frame to the wall mount fixture. This design ensures maximum security.
Bike Wheel Protection	As the wheel is mounted with rubber-only contact to the frame, nothing touches the rim or spokes! Critically important to owners of expensive bikes!

Proudly Canadian Designed and
Canadian Made!



DESIGN SUPPORT

Layout suggestions during the design phase.

CAD Layout for reference and approvals.

Custom product-mix layouts to achieve density requirements

TURNKEY SOLUTION

Once the design is done ... we make sure everything else goes smoothly. When done, we hand over the 'keys' and everything is ready for use. We always include numbering (as required) so people know where their bike is.

PRODUCT SOLUTIONS

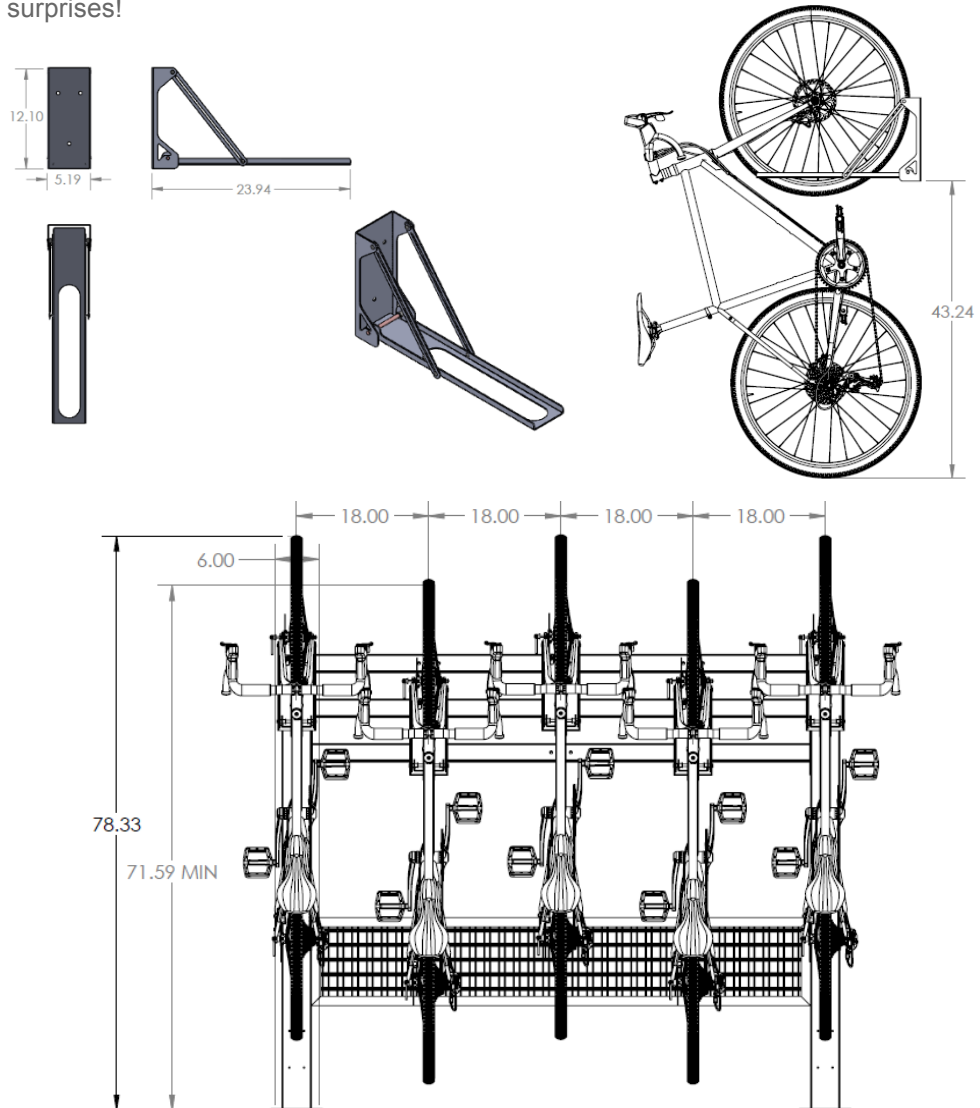
We have numerous design and layout configurations for the Vertical System:

- **Wall Mount** Version, 1 bike
- **Pedestal** Version, 2 bikes
- **POD** Version which incorporates Vertical Bike Racks in a 4-5 OR 8-10 frame format for space-saving row

For more information on any of our products or services, please give us a call.

We'd be happy to assist you in finding the best solution for your project.

Giving our customer the ability to configure layouts to meet physical constraints is our forte. We work with our customers to identify the best solutions for density, diversity of products, and ensure adherence to strict cost containment. We ensure there are NO surprises!



Our **simple, efficient and durable** Fold-Down Vertical Bike Rack. This comes in a Wall-mount (as shown), a Pedestal-Mount and POD (multiple-mount) version.

TECHNICAL SUPPORT AVAILABLE

- [Technical Review of Architectural Layouts](#)
- [Detailed Shop Drawings with Recommended](#)
- [Installation Patterns](#)
- [Installation of Products](#)

Wire Guard Solutions Inc.
14 Bram Court
Brampton, Ontario L3W 6R3
Phone 905-475-0688
Email: sales@wireguardsolutions.ca

Backed by our 2-Year Limited Warranty!

