

## SECURE

Designed with the bike enthusiast in mind, the outdoor post systems secure the bike by locking the frame or wheel to the post. Either way, maximum security can be achieved.

## DURABLE

Made with high-grade, 14 gauge steel tubing, it is assembled using SAE Certified fasteners and coated with the latest in powder polyester coating resin with exceptional rust and UV protection. The coating will withstand the rigors of everyday use.

## COST EFFECTIVE

Well built does **not** mean more expensive. Canadian designed and Canadian Made, we keep the cost down by leveraging the expertise of our closest vendors to achieve a price point that is reasonable and sustainable. Our simple designs allows us to locate these anywhere space is available. A Win-Win.

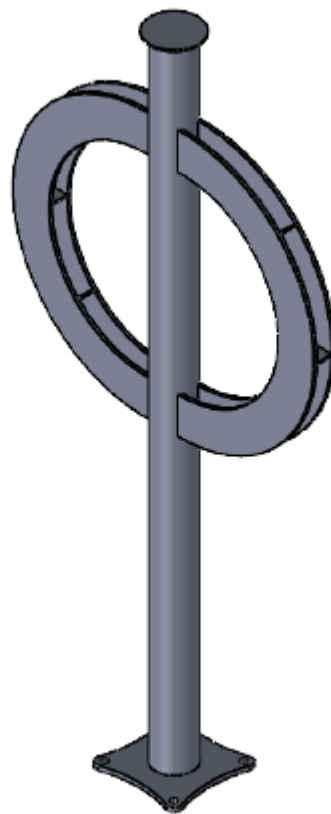
Rugged.

Structurally Sound.

Built to Last.

### FEATURES:

- Design Simplicity.
- Dense bike parking for maximum space.
- Two-point lock for greatest security. staggered bike patterns.
- Easy Use – set and lock!



### PRODUCT SPECIFICATIO

<b>Material:</b>	14 (
<b>Fasteners:</b>	All components are SAE Certified for Strength, Durability and Performance
<b>Coating:</b>	Powdered Polyester Resin (SandTEX Black Only)
<b>Secure Footings:</b>	Outdoor Bike Posts are lagged into the flooring using 7" anchors with epoxy.
<b>Securing the Bike:</b>	Lock rings are welded to the frame to ensure the strongest connection to the anchored foundation and also allow for a chain, wire rope or lock to secure the frame to the post.

Proudly Canadian Designed and  
Canadian Made!



## DESIGN SUPPORT

Layout suggestions during the design phase.

CAD Layout for reference and approvals.

Custom product-mix layouts to achieve density requirements

## TURNKEY SOLUTION

Once the design is done ... we make sure everything else goes smoothly. When done, we hand over the 'keys' and everything is ready for use. We always include numbering so people know where their bike is.

## PRODUCT SOLUTIONS

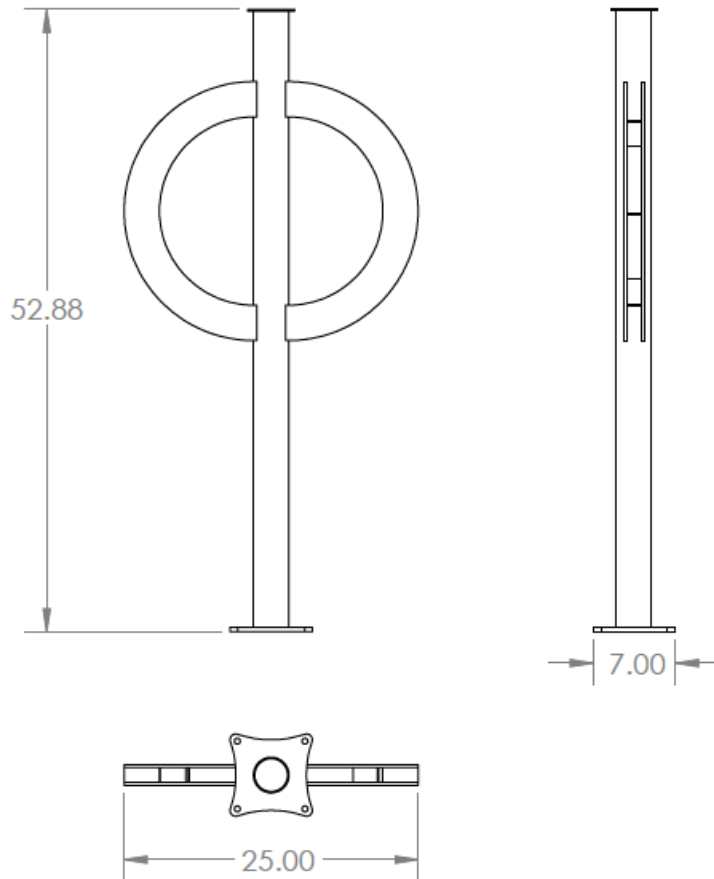
We have a trusted design configurations for Bike Post Systems:

- A **Round Version** where the rings can be customized to include a laser-cut logo, message or address.

For more information on any of our products or services, please give us a call.

We'd be happy to assist you in finding the best solution for your project.

Giving our customer the ability to configure layouts to meet physical constraints is our forte. We work with our customers to identify the best solutions for density, diversity of products, and ensure adherence to strict cost containment. We ensure there are NO surprises!



## TECHNICAL SUPPORT AVAILABLE

- Technical Review of Architectural Layouts
- Detailed Shop Drawings with Recommended
- Installation Patterns
- Installation of Products

**Wire Guard Solutions Inc.**  
14 Bram Court  
Brampton, ON L3W 3R6  
Phone 905-475-0688  
Email: [tim@wireguardsolutions.ca](mailto:tim@wireguardsolutions.ca)

Backed by our 2-Year Limited Warranty!

