

SECURE

Designed with the bike enthusiast in mind, the horizontal system holds the bike frame off the floor and the bike frame can be secured using the lock ring welded to the hook frame for maximum security.

DURABLE

Made with high-grade, 10 gauge steel, it is assembled using SAE Certified fasteners and coated with the latest in powder epoxy coating resin with exceptional rust and UV protection. The coating will withstand the rigors of everyday use.

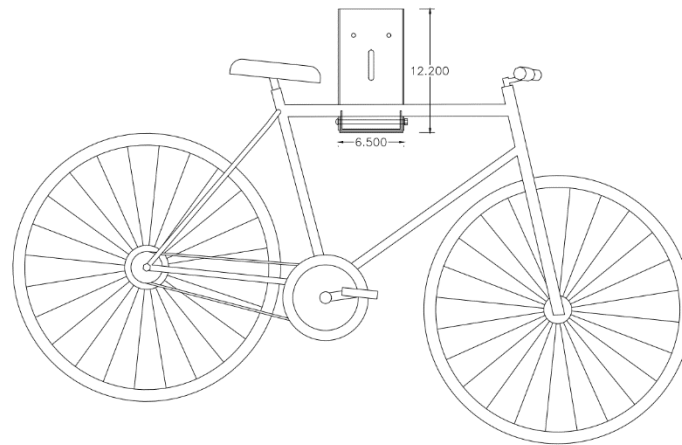
COST EFFECTIVE

Well built does **not** mean more expensive. Canadian designed and Canadian Made, we keep the cost down by leveraging the expertise of our closest vendors to achieve a price point that is reasonable and sustainable. Our simple design allows us to locate these anywhere space is available. A Win-Win.

Rugged.

Structurally Sound.

Built to Last.



Bike Hook System

FEATURES:

- Design Simplicity.
- Dense bike parking for maximum space constraints.
- Adjustable height assemblies for staggered bike patterns.
- Easy Use – just lift and hang!

Versatile Mounting Options: Wall, Column, Post or create your own Custom Designed Post to fit your specific requirements!

PRODUCT SPECIFICATIONS:

Material:	10 Gauge, Cold-Rolled, High-Grade Steel
Fasteners:	All components are SAE Certified for Strength, Durability and Performance
Coating:	Powdered Epoxy Resin (SandTEX Black Only)
Storing Mechanism:	When not in use, the horizontal arm fold nicely back into the wall mount.
Securing the Bike:	There is a lock ring welded to the frame to allow for a chain or wire rope to secure the frame to the wall mount fixture.

Proudly Canadian Designed and
Canadian Made!



DESIGN SUPPORT

Layout suggestions during the design phase.

CAD Layout for reference and approvals.

Custom product-mix layouts to achieve density requirements

TURNKEY SOLUTION

Once the design is done ... we make sure everything else goes smoothly. When done, we hand over the 'keys' and everything is ready for use. We always include numbering so people know where their bike is.

PRODUCT SOLUTIONS

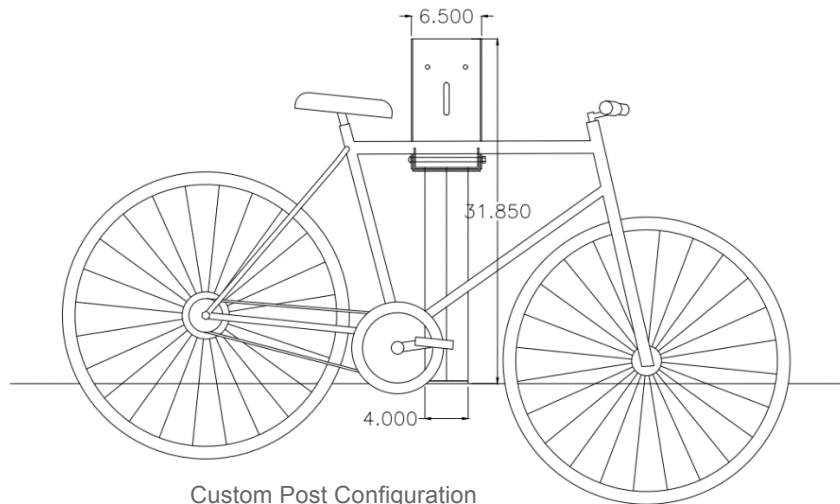
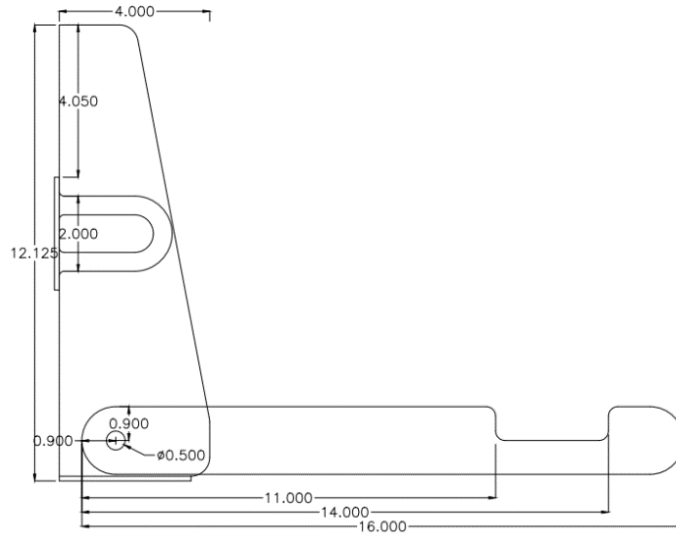
We have numerous design and layout configurations for the Bike Hook System:

- **Mount on a Wall, a Column or a Post**, 1 bike
- **Custom Mounting Options** (bring us your challenges and we'll find a solution)

For more information on any of our products or services, please give us a call.

We'd be happy to assist you in finding the best solution for your project.

Giving our customer the ability to configure layouts to meet physical constraints is our forte. We work with our customers to identify the best solutions for density, diversity of products, and ensure adherence to strict cost containment. We ensure there are NO surprises!



Custom Post Configuration

TECHNICAL SUPPORT AVAILABLE

- [Technical Review of Architectural Layouts](#)
- [Detailed Shop Drawings with Recommended](#)
- [Installation Patterns](#)
- [Installation of Products](#)

Wire Guard Solutions Inc.
14 Bram Court
Brampton, Ontario L3W 3R6
Phone 905-475-0688
Email: sales@wireguardsolutions.ca

Backed by our 2-Year Limited Warranty!

